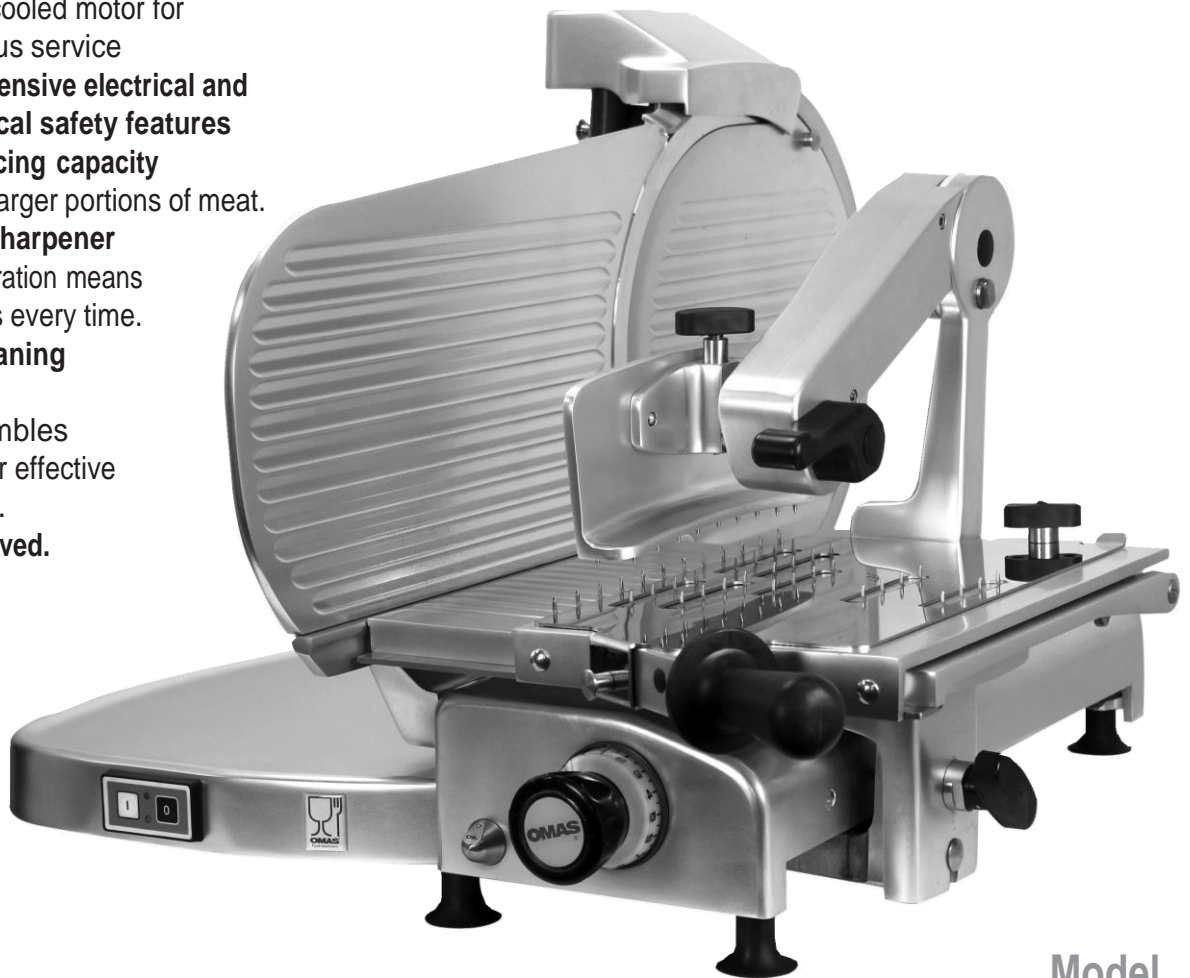


The L Series flatbed manual slicers are heavy duty, large capacity machines designed for slicing cured meats. The powerful motor and gear-driven blade mean the L Series can operate in even the busiest high-volume commercial kitchen or delicatessen.

- **Gear Drive**
Powerful, heavy duty operation with fan-cooled motor for continuous service
- **Comprehensive electrical and mechanical safety features**
- **Large slicing capacity**
Ideal for larger portions of meat.
- **Built in sharpener**
Easy operation means great cuts every time.
- **Easy cleaning**
Machine disassembles quickly for effective cleaning.
- **CE approved.**



Model
L Series
Flatbed Slicers

Model L Series

Flatbed Slicers

SPECIFICATIONS

L37S

Blade (mm)	370
Power	350W
240V single phase	50Hz
Dimensions (mm)	
Width	710
Depth	840
Height	650
Slice Capacity	
Rectangular (mm)	320x280
Circular/Diameter (mm)	280
Max. Slice thickness (mm)	14
Net weight (kg)	56



The built-in sharpener is simple and safe to operate.



The complete meat table can be quickly removed for easy cleaning.

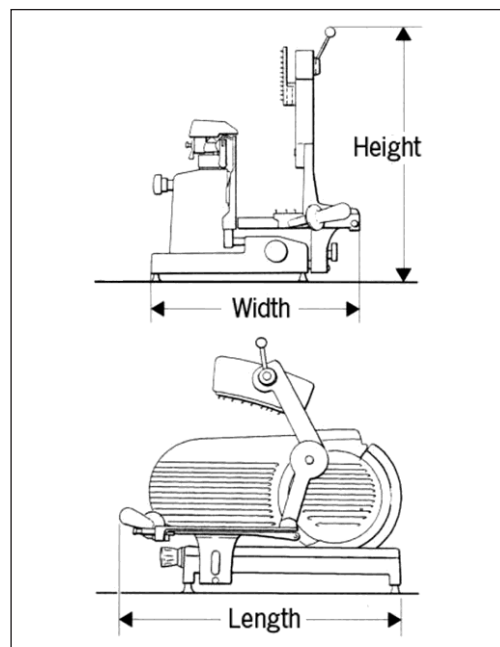
The Model L Flatbed slicer has been designed especially for slicing cured meats of all kinds, and copes particularly well with larger portions.

With its large capacity meat table, the versatile L Series can handle any cured meat product, no matter how big the piece.

- Manufactured in stainless steel and anodised aluminum to resist the corrosive effects of salts and acids.
- Constructed for easy and friendly cleaning.
- Micrometric adjusting knob allows for cutting of slices up to 14mm (option for 25mm slice – refer to Option 6).
- Built-in dual action sharpener ensures a long-lasting razor-sharp knife.
- Forced ventilation to motor.
- Gear driven blade.
- Also available:
L25E (250mm blade)
L30E (300mm blade)
L35S (350mm blade)

Options:

- 6** Slice cutting to 25mm.
- 8** Portioner: weight indicator
- 16** Digital slice counters
- 56** Receding feet
- 57** High feet
- 63** Stainless steel removable tray
- 90** Guarded, auto-locking blade removal device
- 97** Teflon coating (thickness plate, blade and blade cover)



Servicing NSW and ACT

Ph: 02 4879 3808

www.briquip.com.au

admin@briquip.com.au