

# Model BT100/130 Brochure/Manual Hamburger Press



The BT Manual Hamburger Press is designed for ease of use, quick cleaning, safe operation and neat portioning.

Manufactured from stainless steel and anodised aluminum this compact hand operated hamburger press prepares perfect sized patties every time. Protected by a cellophane disc the compressed meat is easy to remove without any need of a tool. Available in two sizes BT100 makes a 100mm patty and BT130 makes a 130mm patty.



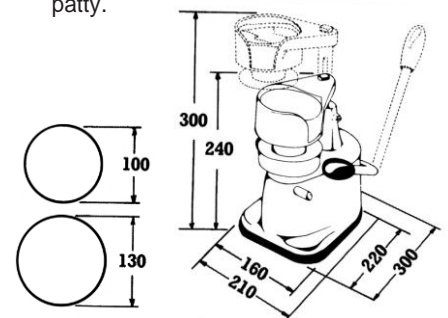
## Operating Instructions for the BT Manual Hamburger Press

The BT Manual Hamburger Press is intended for use in the production of consistent sized patties.

1. Lift lever to expose press platform.
2. Place cellophane disc on the platform.
3. Place meat portion on the cellophane disc on the platform and cover meat with a second cellophane disc.
4. Pull lever towards you to compress the meat into shape.
5. Raise lever and remove perfectly formed patty.

### BT Manual Hamburger Press Dimensions:

Base Depth: 220mm	Base Width: 160mm	Height: 300mm	Weight: 4kg
-------------------	-------------------	---------------	-------------



Servicing NSW and ACT

Ph: 02 4879 3808  
[www.briquip.com.au](http://www.briquip.com.au)  
[admin@briquip.com.au](mailto:admin@briquip.com.au)