



28 preset price keys



Total/Weight/Unit

# AP-Plus SERIES

## Price Computing Scale

AP-Plus Series is easy to use in a variety of retail applications. Fully equipped with a stainless steel platter, pole display with front and rear VFD displays. AP-1(EC) has 28 preset pricing keys.

- Trade approved (NMI No. 6/4D/370)
- RS-232C Interface
- 1/3,000 Dual Interval Technology
- Stainless steel platter



# AP-Plus SERIES | Price Computing Scale

## SPECIFICATIONS

Model	AP-Plus Series		
Max. Capacity (kg)	3/6kg	6/15kg	15/30kg
Readability (g)	1/2g	2/5g	5/10g
External Resolution	1/3,000		
Display Digit	7/5/6 (total price/ weight/unit price)		
Display Type	VFD		
Operating Temp.	-10°C ~ 40°C		
Power	AC 100 ~ 220V, 50/60Hz		
Platter Size (mm)	340(W) x 215(D)		
Dimensions (mm)	435(W) x 325(D) x 495(H)		
Product Weight (kg)	6.5		

## FEATURES

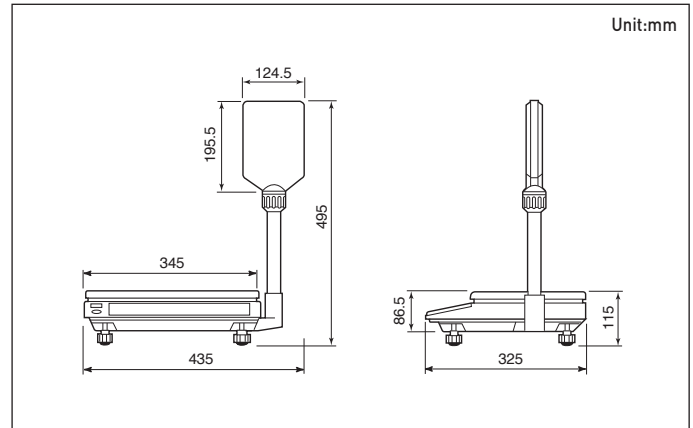
- 28 preset keys
- RS-232C interface
- Highly legible VFD display
- 1/3,000 resolution
- Stainless steel platter
- Auto span adjustment / Auto zero tracking
- Dust protection cover

## OPTIONS

- Scoop platter

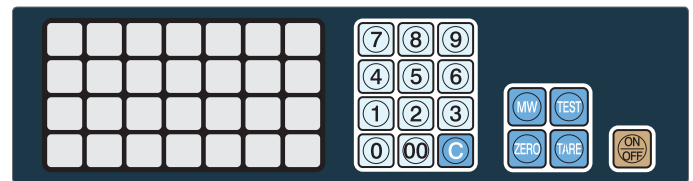


## DIMENSIONS



## KEYBOARD

- AP-Plus EC



# CAS