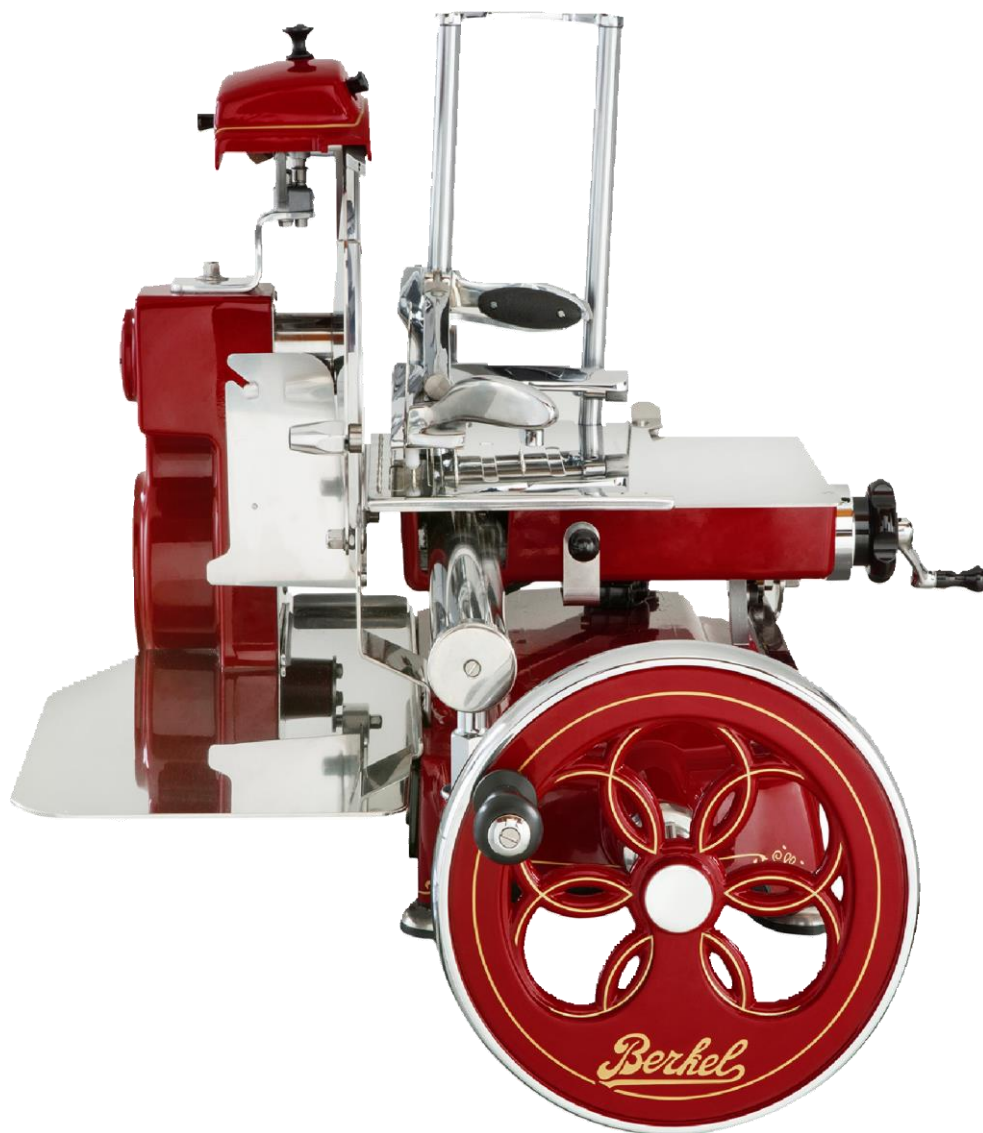


The Volano Tribute Vintage Flywheel Slicer is craftsman-built to the highest standard using high quality modern materials and fitted with safety features.



Model

**Tribute**  
Flywheel Slicers

# Model Tribute

## Flywheel Slicer

CE Approved

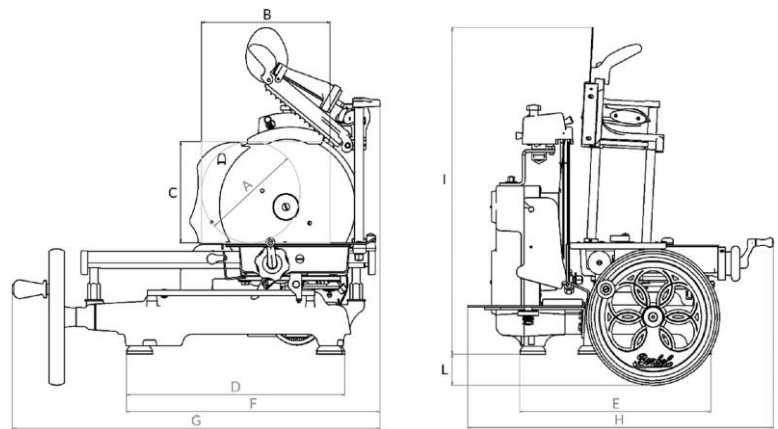
The Volano Tribute Flywheel Slicer is an unpowered hand operated precision slicer.

- Quality unpowered flywheel slicer with 300mm blade
- Stunning Vintage flower design flywheel
- Constructed from aluminum and stainless steel with a high gloss red or black finish.
- Fully incorporated sharpening device
- Slice thickness: 0-1.5mm
- Blade ring guard
- Optional extra: High gloss enamel vintage style stand.

### Tribute

#### Dimensions

WxDxH (mm):	670x805x700
Pedestal Stand (mm):	580x780
Slice Thickness (mm):	0-1.5
Blade (mm):	300
Product Cutting Capacity:	
Rectangle (mm):	270x210
Round (mm):	210
Slicer Weight (kg):	52
Stand Weight (kg):	45



Servicing NSW and ACT

Ph: 02 4879 380

[www.briquip.com.au](http://www.briquip.com.au)

[admin@briquip.com.au](mailto:admin@briquip.com.au)