

INTRODUCING THE ALL NEW

Berkel

Red Line Range



“The quality of a professional slicing experience.”

Red Line - Where tradition meets Innovation.

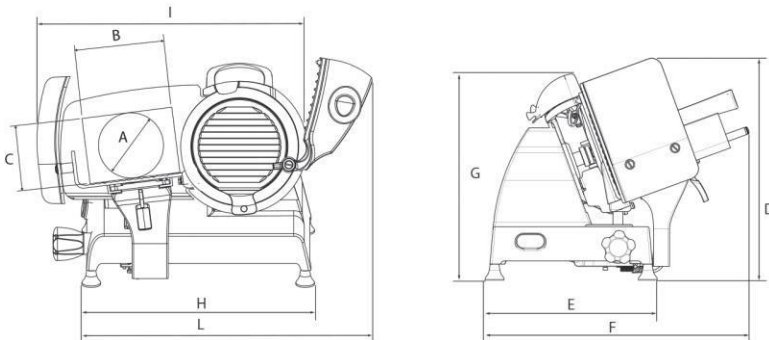
Red Line 220-250 & Red Line300

Red Line encompasses all the technology of a professional Berkel meat slicer in a compact unit. This professional electric slicer is elegant and lightweight and is made of a special aluminium alloy.

The steel blade ensures a perfect cut to make thin and even slices while reducing waste. The built-in sharpener enhances blade efficiency and durability. The slice deflector, blade cover, and meat table can be removed easily to ensure quick and accurate cleaning operations.

Features:

- Extremely compact in size
- Special aluminium alloy structure
- Food grade aluminium blade cover
- Chromed steel blade with professional profile reduces waste and ensures even slices.
- Professional motor for amazing results
- Fixed blade guard for safe cleaning
- Slice capacity up to 14mm (220/250 slicers), up to 12mm (300 slicer)
- Built-in sharpener
- Professional push-button panel with LED indicators
- Removable meat carriage for easy cleaning



Specifications:	RL220	RL250	RL300
Blade Diameter	220mm	250mm	300mm
Maximum Slice Thickness	14mm	14mm	12mm
Size: Width (F) x Depth (L) x Height (D)(mm)	505 x 580 x 395	505 x 570 x 395	475 x 630 x 480
Cutting Capacity Round	168mm	178mm	230mm
Cutting Capacity Rectangle mm	185 x 160 H	185 x 175 H	245 x 225 H
Motor 240V	190W	190W	310W
Weight	22kg	22kg	27kg



Servicing NSW and ACT
Ph: 02 4879 3808
www.briquip.com.au
admin@briquip.com.au

BERKEL