



## DESCRIPTION

The ZM110 can be supplied as a trade approved bench scale system at 3,000 divisions as well as 6,000 divisions for applications where trade approval is not required. As a system, the base combines with a pole-mounted indicator that can be used for a wide range of general purpose floor or bench base type applications.

**General Weighing:** Designed to weigh in lb, kg, or pieces, the ZM110 can easily be set into sample mode - ideal for counting a wide range of medium sized components.

**Checkweighing & Check Counting:** Ideal for guaranteeing product or box quantities are within an agreed weight or count size and for repetitive packing applications, the ZM110 easily switches between general weighing, checkweighing, and check counting.

**Base Construction:** With 150% overload protection,

powder coated tubular base frames constructed of mild steel, and four corner stops the load cell are well-protected. The base frame is fitted with four large, lockable, adjustable anti-slip feet ideal for leveling the base if positioned on uneven ground.

**Load Cell:** This base is fitted with a robust, R60 C3 approved, aluminum IP66 load cell

**Top Pan:** The base is fully covered with a removable, hard-wearing, food grade 304 stainless steel top pan.

**Indicator Construction:** The ABS housed Avery Weigh-Tronix ZM110 Indicator has a large, easy-to-read 50 mm x 165 mm LCD backlit display with 40 mm high digits and built-in battery that allows this product to be used in low lit areas or in areas where power outlets are hard to find. The ZM110 can provide over 107 hours of battery life between charges.

## SPECIFICATIONS

### GENERAL

<b>Operating Applications</b>	General weighing in both kg, lb, Pieces, Basic Counting, Check Counting, Checkweighing
<b>Capacities , Resolutions &amp; Base Dimensions (L x W)</b>	<p><b>6000d unapproved but EC &amp; OIML approved up to 3000d</b>                      400 mm x 400 mm base - 60 kg x 0.01 kg (132 lb x 0.02 lb)                      400 mm x 500 mm base - 150 kg x 0.02 kg (330 lb x 0.05 lb)                      400 mm x 500 mm base - 300 kg x 0.05 kg (660 lb x 0.1 lb)                      500 mm x 600 mm base - 300 kg x 0.05 kg (660 lb x 0.1 lb)</p> <p><b>3000d EC approved E2 Stamped</b>                      400 mm x 400 mm base - 60 kg x 0.02 kg                      400 mm x 500 mm base - 150 kg x 0.05 kg                      400 mm x 500 mm base - 300 kg x 0.1 kg                      500 mm x 600 mm base - 300 kg x 0.1 kg</p>
<b>Approved Resolution</b>	3000 divisions EC & OIML approved (Class III)
<b>Minimum and Maximum Load Cell Impedance</b>	87 to 1100 ohms

# ZM110 DIGITAL BENCH SERIES Technical Specification

## GENERAL

<b>Calibration</b>	Three points stored (Zero, Span and one optional linerization point if needed)
<b>Analog to Digital Measurement Rate</b>	Configurable from 7.5 to 30 Hz. Default 15 Hz.
<b>Unit of Measure</b>	Allows up to two units of measure plus piece counting (kg, pounds, grams, pounds/ounces). Primary unit of measure kg.
<b>Capacity Selections</b>	Configurable 999,999 with decimal located zero to five places
<b>Division increment</b>	1 to 50 in multiples and sub-multiples of 1, 2, 5
<b>Auto Zero Tracking</b>	Configurable +/- 0 to 5 divisions
<b>Overload Protection</b>	150% overload protection
<b>Gravity Setting</b>	Allows a different gravity to be entered into the scale after calibration
<b>Power Requirements</b>	Supplied with a switching power adapter with interchangeable plug ends to cover UK, EU and Australian plug requirements input 100 - 240 volt ~ 50/60 Hz, 0.4A Max output voltage 12 VDC, 1000mA with positive centre
<b>Battery</b>	Built-in Lead Acid battery (DJW6-4.0 6V 4.0AH) to give up to 107 hours between recharges
<b>Power Save Options</b>	Configurable backlight settings to turn off backlight. When scale is sitting stable for long periods of time, any movement will turn the backlight back on. Auto off feature can be set to turn off the scale when not in use. Auto off from off to 99 minutes.
<b>Enclosure</b>	Housed in a tough, black, ABS enclosure with rear external battery cover with battery installed. Also supplied with detachable, adjustable pole mounting bracket.
<b>Base Dimensions</b>	Available in three base sizes and four main capacities
<b>Base Construction</b>	Powder coated mild steel fabricated top and bottom base frames with a 304 stainless steel removable weight platter and a R60 approved C3 aluminium IP66 load cell.
<b>Built-in Indicator Column</b>	Supplied with 650 mm high stainless steel pole for easily mounting the ZM110 Indicator to the base
<b>Overload Protection</b>	150% overload protection
<b>Feet</b>	Fitted with four large, anti-slip, adjustable, black feet, all with locking nuts

## USER INTERFACE

<b>Operational Keys</b>	Eight operation keys (Unit, Select, Print, Zero, Tare x 2, On, Off). Two functional tare keys to accommodate both left and right hand dominant operators.
<b>Status Annunciators</b>	Zero, Motion, Gross, Net, Memory +, Battery Charge
<b>Display</b>	50 mm x 165 mm large, easy-to-read LCD, backlit display with 40 mm high seven digit seven segment display

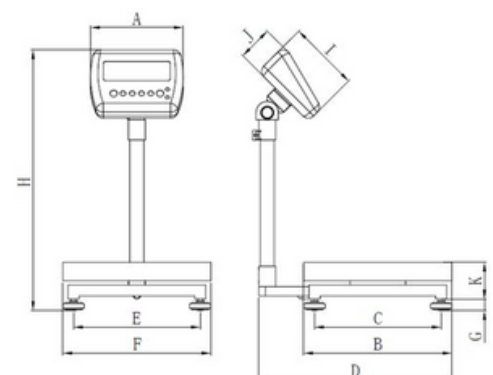
## PHYSICAL

<b>Operating Temperature</b>	-10° to 40° C
<b>Operating Humidity</b>	10 to 90% relative humidity, non-
<b>Shipping Weight</b>	condensing 60 kg: 13.0 kg 150 kg: 14.5 kg 300 kg: 14.5 kg 300 kg: 26.5 kg

## Dimensions

### DIMENSIONS (mm)

Base Size	a	b	c	d	e	f	g	h	i	j	k
400 mm x 400 mm	250	40	342	52	34	40	3	90	19	10	99
400 mm x 500 mm	250	0	442	1	2	0	2	3	0	0	99
500 mm x 600 mm	250	50	542	62	34	40	3	90	19	10	12
		0		1	2	0	2	3	0	0	4
		60		72	44	50	3	90	19	10	
		0		1	2	0	2	3	0	0	



**INPUT/OUTPUT**

**Communications**                      One RS232 port

**APPROVALS**

**Agencies**

OIML (European and UK) Class III 4,200 d  
TEC : 0200-NAWI-05920 OIML CoC for ZM110: R76/2006-A-DK2-  
19.04 RoHs II compli  
CE

