

Technical information

Aero 35/35+



Characteristics

- With one sealing bar as standard (front)
- With double seal as standard (two sealing wires)
- Optional at no extra cost: Cut-off/wide seal
- Pump maintenance and cleaning program
- Standard sensor
- Three adjustable programs
- Standard soft air
- Standard red meat program
- Stainless steel casing and transparent lid
- Supplied with two insert plates for a faster cycle and good positioning

Options

- Liquid control

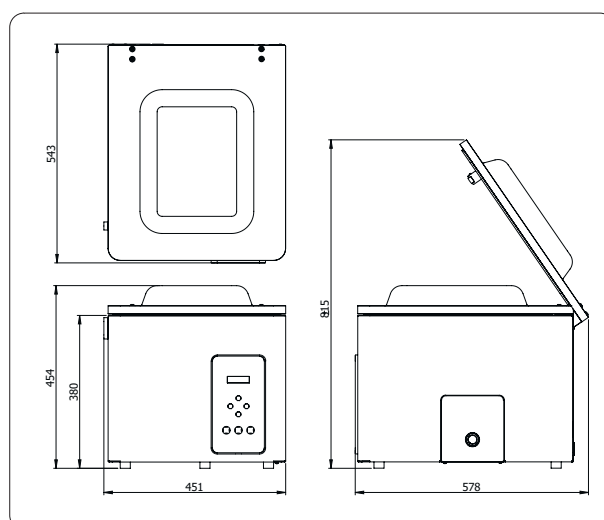
Accessories

- Inclined insert plate (for packing liquids)
- External adapter
- Maintenance set for standard maintenance
- Trolley with shelves



Specs	Aero 35	Aero 35+
Chamber LxWxH (mm)	370x350x150	370x350x150
Machine LxWxH (mm)	543x451x454	543x451x454
Voltage	230V-1-50Hz 100V-1-50/60Hz 110/115V-1-60Hz 220V-1-60Hz	
Pump capacity 50 Hz/60 Hz (m3)	8 / 10	16 / 19
Machine cycle 50 Hz/60 Hz (sec.)	19-50 / 17-44	12-32 / 11 - 28
Power (kW)	0,4 - 0,5	0,6
Weight (kg)	36	41
Net seal length (mm)	345	345
Standard sealing bar configuration		

Dimensions mm



Servicing NSW and ACT

Ph: 02 4879 3808

www.briquip.com.au

admin@briquip.com.au