

Technical information

Aero 42/42+



Characteristics

- With one sealing bar as standard (front)
- With double seal as standard (two sealing wires)
- Optional at no extra cost: Cut-off/wideseal
- Pump maintenance and cleaning program
- Standard sensor
- Three adjustable programs
- Standard soft air
- Standard red meat program
- Stainless steel casing and transparent lid
- Supplied with three insert plates for a faster cycle and good positioning

Options

- Liquid control

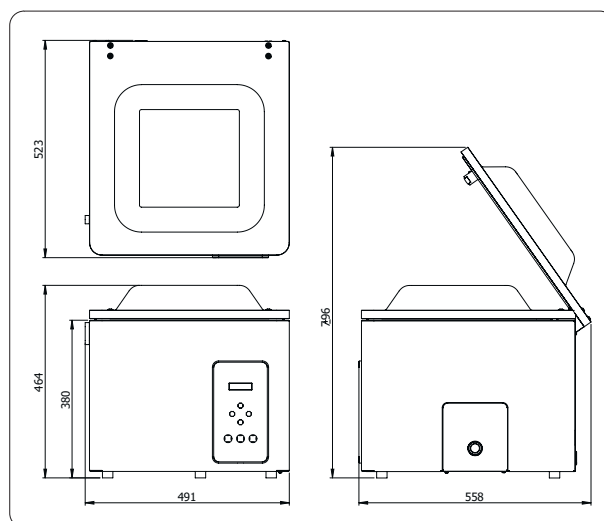
Accessories

- Inclined insert plate (for packing liquids)
- External adapter
- Maintenance set for standard maintenance
- Trolley with shelves



Specs	Aero 42	Aero 42+
Chamber LxWxH (mm)	370x420x180	370x420x180
Machine LxWxH (mm)	523x491x464	523x491x464
Voltage	230V-1-50Hz 100V-1-50/60Hz 110/115V-1-60Hz 220V-1-60Hz	
Pump capacity 50 Hz/60 Hz (m3)	16 / 19	21 / 25
Machine cycle 50 Hz/60 Hz (sec.)	13-38 / 11-33	12-33 / 11 - 29
Power (kW)	0,6	0,8 - 1,0
Weight (kg)	57	61
Net seal length (mm)	410	410
Standard sealing bar configuration		

Dimensions mm



Servicing NSW and ACT

Ph: 02 4879 3808
www.briquip.com.au
admin@briquip.com.au