

# Technische informatie

## Jumbo 42



### Characteristics

- Supplied with one sealing bar as standard (front)
- Double seal as standard (two sealing wires).  
Optional at no extra cost: Cut-off/Wide seal
- Easy-to-remove sealing bar for easy cleaning
- Pump maintenance and cleaning program
- Digital time control with single program panel as standard
- Stainless steel casing and transparent lid
- Supplied with two insert plates for a faster cycle and good product positioning

### Options

- Second sealing bar (front/rear)
- Sensor control

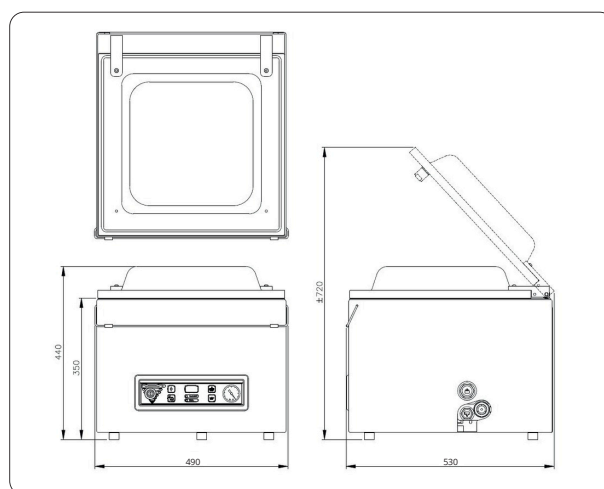
### Accessories

- Inclined insert plate (for liquids and powders)
- External adapter • Maintenance set • Trolley with shelves



Specs	Jumbo 42	
Chamber LxWxH (mm)	370x420x180	
Machine LxWxH (mm)	530x490x440	
Voltage	230V-1-50Hz 100V-1-50/60Hz 110/115V-1-60Hz 220V-1-60Hz	
Pump capacity 50 Hz/60 Hz (m3)	16 / 19	
Machine cycle 50 Hz/60 Hz (sec.)	13-38 / 11-33	
Power (kW)	0,6	
Weight (kg)	58	
Net seal length (mm)	410	
Sealing bar configuration - standard - option	standard 	option 

### Dimensions mm



Servicing NSW and ACT

Ph: 02 4879 3808

[www.briquip.com.au](http://www.briquip.com.au)

[admin@briquip.com.au](mailto:admin@briquip.com.au)