

Technische informatie

Jumbo 35



Characteristics

- Supplied with one sealing bar as standard (front)
- Double seal as standard (two sealing wires).
Optional at no extra cost: Cut-off/Wide seal
- Easy-to-remove sealing bar for easy cleaning
- Pump maintenance and cleaning program
- Digital time control with single program panel as standard
- Stainless steel casing and transparent lid
- Supplied with two insert plates for a faster cycle and good product positioning

Options

- Sensor control

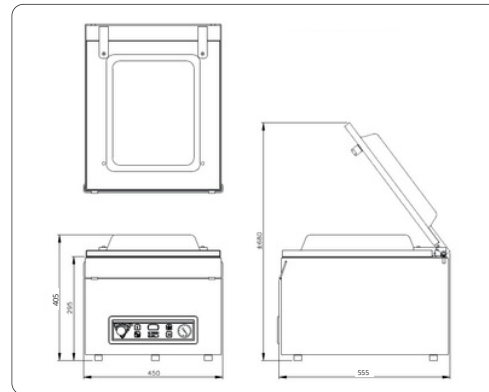
Accessories

- Inclined insert plate (for liquids and powders)
- External adapter • Maintenance set • Trolley with shelves



Specs	Jumbo 35
Chamber LxWxH (mm)	370x350x150
Machine LxWxH (mm)	555x450x405
Voltage	230V-1-50Hz 100V-1-50/60Hz 110/115V-1-60Hz 220V-1-60Hz
Pump capacity 50 Hz/60 Hz (m3)	16 / 19
Machine cycle 50 Hz/60 Hz (sec.)	12-32 / 11-28
Power (kW)	0,6
Weight (kg)	51
Net seal length (mm)	345
Sealing bar configuration standard	

Dimensions mm



Servicing NSW and ACT

Ph: 02 4879 3808
www.briquip.com.au
admin@briquip.com.au