

Technical information

Polar 80



Stainless steel floor-standing models with flat work plate. This machine is easy to clean. Available in white and stainless steel. © Henkelman 2015

Characteristics

- Supplied with two sealing bars as standard: front/right
- Sealing bar configurations available at no extra cost: front/rear, left/right
- Double seal as standard (two sealing wires).
Optional at no extra cost: Cut-off seal/Wide seal (10 mm)
- Easy-to-remove silicone holders for easy cleaning
- Digital time control with ten-program memory as standard
- Soft Air as standard to protect the product and vacuum bag
- Stainless steel casing and flat working plate
- Supplied with two insert plates for a faster cycle and good product positioning
- IP-65 classification

Options

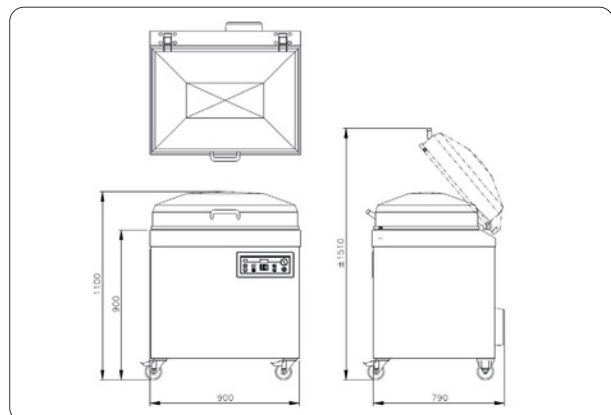
- Three sealing bars (left/front/right)
- 1-2 Cut-off seal/Bi-Active seal
- Sensor control
- Advanced Control System (ACS)
- Liquid control
- Gas flush (incl. compressed air connection)
- Connection for external pump
- (Lightweight) bag clamp
- Extra high contra bar (104 mm instead of 54 mm)

Accessories

- Thermal label printer (only in combination with ACS)
- Inclined insert plate (for liquids and powders)
- Maintenance set for standard maintenance



Dimensions mm



| Specs | Polar 80 | |
|----------------------------------|--|------------|
| Chamber LxWxH (mm) | 510x760x200 | |
| Machine LxWxH (mm) | 790x900x1100 | |
| Voltage | 400V-3-50Hz 230V-3-50Hz 220V-3-60Hz 200V-3-50/60Hz | |
| Pump capacity 50 Hz/60 Hz (m3) | 100 / 120 | |
| Machine cycle 50 Hz/60 Hz (sec.) | 13 - 26 / 11 - 23 | |
| Power (kW) | 2,3 - 3,4 | |
| Weight (kg) | 241 | |
| Net seal length (mm) | - standard 1 x 795, 1 x 480 - option 1 x 795, 2 x 480 - option 2 x 545 - option 2 x 795 | |
| Sealing bar configuration | standard | option |
| - standard | option | option |
| - option | | |
| - option | | |
| - option | | |