

# Technical information

## Polar 2-75



### Characteristics

- Supplied with two sealing bars as standard (front/rear)
- Sealing bar configurations available at no extra cost: left/right
- Double seal as standard (two sealing wires). Optional at no extra cost: Cut-off seal/Wide seal (10 mm)
- Easy-to-remove silicone holders for easy cleaning
- Digital time control with ten-program memory as standard
- Soft Air as standard to protect the product and vacuum bag
- Stainless steel casing and flat working plate
- Supplied with four insert plates for a faster cycle and good product positioning
- IP-65 classification

### Options

- 1-2 Cut-off seal/Bi-Active seal
- Sensor control
- Advanced Control System (ACS)
- Liquid control
- Gas flush (incl. compressed air connection)
- Connection for external pump
- (Lightweight) bag clamp

### Accessories

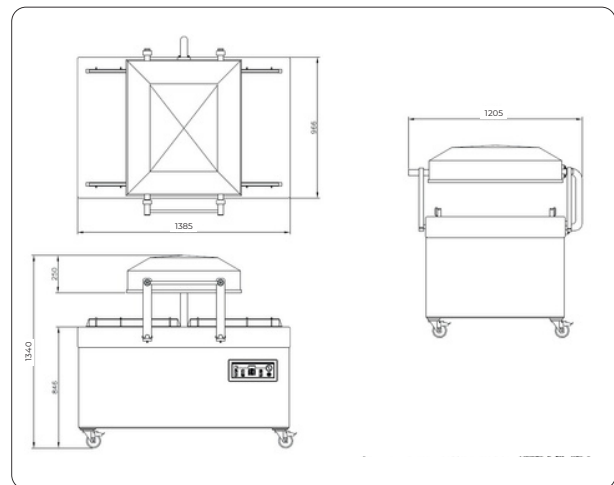
- Thermal label printer (only in combination with

ACS)

- Inclined insert plate (for liquids and powders)
- Maintenance set for standard maintenance



### Dimensions mm



Specs	Polar 2-75	
Chamber LxWxH (mm)	750x620x250	
Machine LxWxH (mm)	1205x1485x1340	
Voltage	400V-3-50Hz 230V-3-50Hz 220V-3-60Hz 200V-3-50/60Hz	
Pump capacity 50 Hz/60 Hz (m3)	160 / 192	
Machine cycle 50 Hz/60 Hz (sec.)	13 - 25 / 11 - 22	
Power (kW)	4,0 - 4,8	
Weight (kg)	537	
Net seal length (mm)	2 x 620	
- standard	2 x 828	
- option		
Sealing bar configuration	standard	option
- standard		
- option		