

Technical information

Polar 52



Characteristics

- Supplied with two sealing bars as standard (left /right)
- Double seal as standard (two sealing wires). Optional at no extra cost: Cut-off seal/Wide seal (10 mm)
- Easy-to-remove silicone holders for easy cleaning
- Digital time control with ten-program memory as standard
- Soft Air as standard to protect the product and vacuum bag
- Stainless steel casing and flat working plate
- Supplied with two insert plates for a faster cycle and good product positioning
- IP-65 classification


Opties

- 1-2 Cut-off seal/Bi-Active seal
- Sensor control
- Advanced Control System (ACS)
- Liquid control
- Gas flush (incl. compressed air connection)
- Connection for external pump
- (Light weight) bag clamp

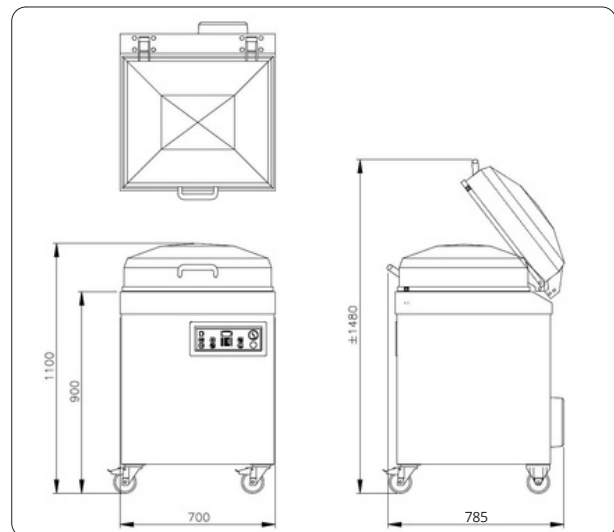
Accessories

- Thermal label printer (only in combination with ACS)
- Inclined insert plate (for liquids and powders)
- Maintenance set for standard maintenance



Specs	Polar 52
Chamber LxWxH (mm)	520x500x200
Machine LxWxH (mm)	785 x 700 x 1100
Voltage	400V-3-50Hz 230V-3-50Hz 220V-3-60Hz 200V-3-50/60Hz
Pump capacity 50 Hz/60 Hz (m3)	63 / 76
Machine cycle 50 Hz/60 Hz (sec.)	12 - 30 / 11 - 26
Power (kW)	1,8 - 2,4
Weight (kg)	183
Net seal length (mm)	2 x 505
Standard sealing bar configuration	

Dimensions mm



Servicing NSW and ACT

Ph: 02 4879 3808
www.briquip.com.au
admin@briquip.com.au