

# Technical information

## Falcon 52



### Characteristics

- Supplied with two sealing bars as standard (left/right)
- Double seal as standard (two sealing wires). Optional at no extra cost: Cut-off/Wide seal
- Easy-to-remove silicone holders for easy cleaning and maintenance
- Pump maintenance and cleaning program
- Digital time control with ten-program memory as standard
- Aluminium vacuum chamber and lid with viewing window
- Stainless steel casing
- Supplied with eight insert plates for a faster cycle and good product positioning

### Options

- 1-2 Cut-off seal
- Bi-Active seal
- Soft Air to protect the product and vacuum bag
- Sensor control
- Advanced Control System (ACS)
- Liquid control
- Gas flush

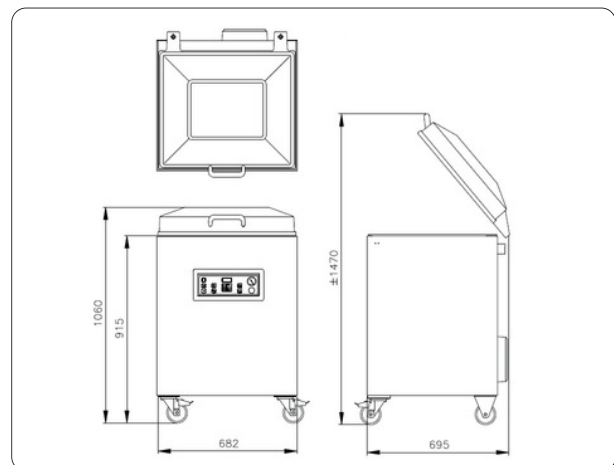
### Accessories

- Thermal label printer (only in combination with ACS)
- Inclined insert plate (for vacuum packing liquids and powders)
- Maintenance set for standard maintenance



Specs	Falcon 52
Chamber LxWxH (mm)	520x500x235
Machine LxWxH (mm)	695x682x1060
Voltage	400V-3-50Hz 230V-3-50Hz 220V-3-60Hz 200V-3-50/60Hz
Pump capacity 50 Hz/60 Hz (m3)	63 / 76
Machine cycle 50 Hz/60 Hz (sec.)	12 - 27 / 11 - 24
Power (kW)	1,8 - 2,4
Weight (kg)	163
Net seal length (mm)	2 x 505
Sealing bar configuration - standard	

### Afmetingen mm



Servicing NSW and ACT

Ph: 02 4879 3808  
[www.briquip.com.au](http://www.briquip.com.au)  
[admin@briquip.com.au](mailto:admin@briquip.com.au)